

Schematic Pages:

Page01: Cover

Page02: K210-IO

Page03: K210-SPI/Mix

Page04: K210-Power

Page05: LCD

Page06: DVP

Page07: MIC

Page08: Voice

Page09: USB

Page10: WIFI

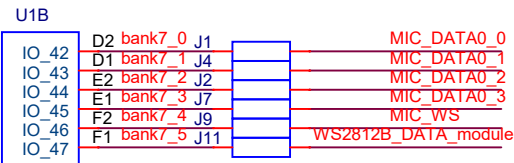
Page11: TF

Page12: Con/Module

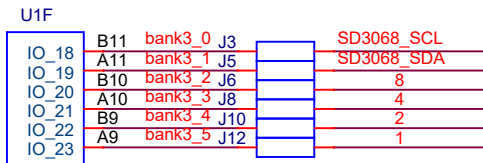
Page13: Power

Kendryte

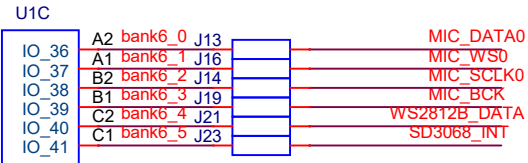
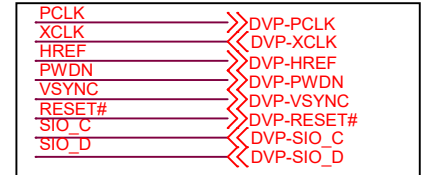
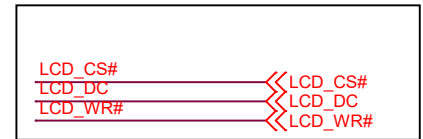
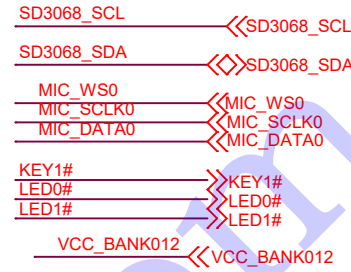




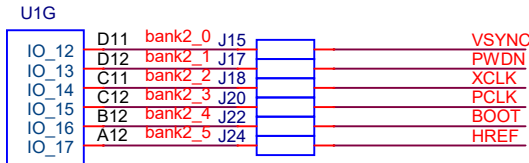
K210



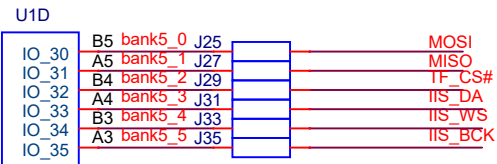
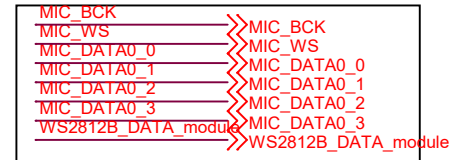
K210



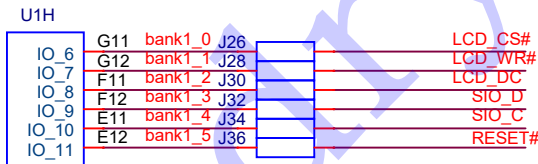
K210



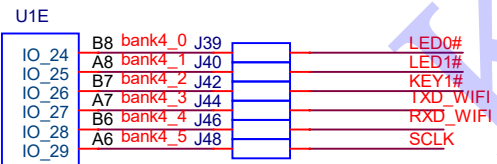
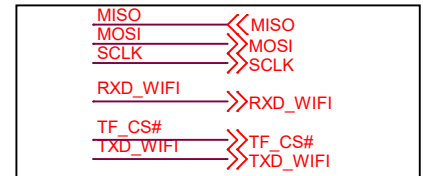
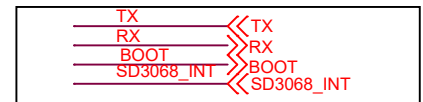
K210



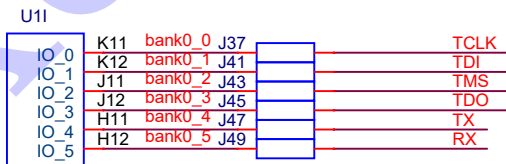
K210



K210

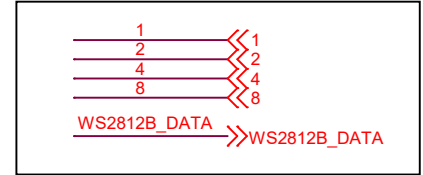
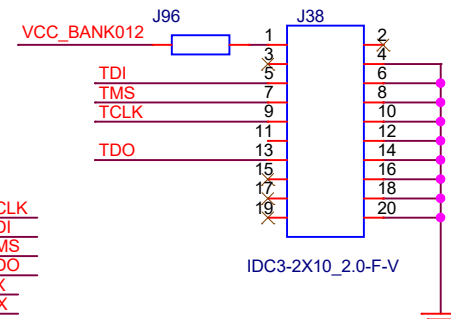


K210



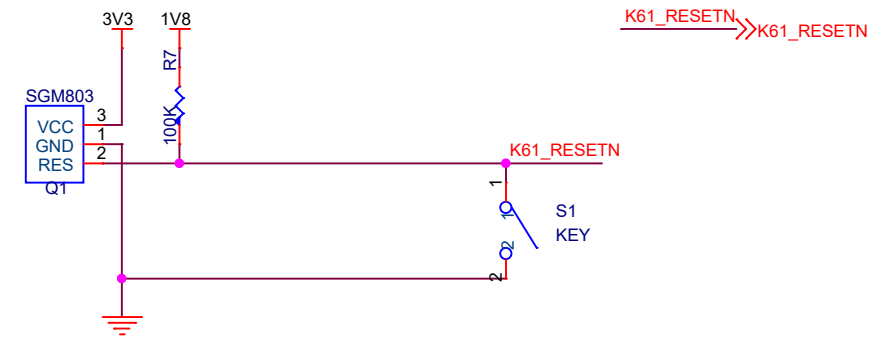
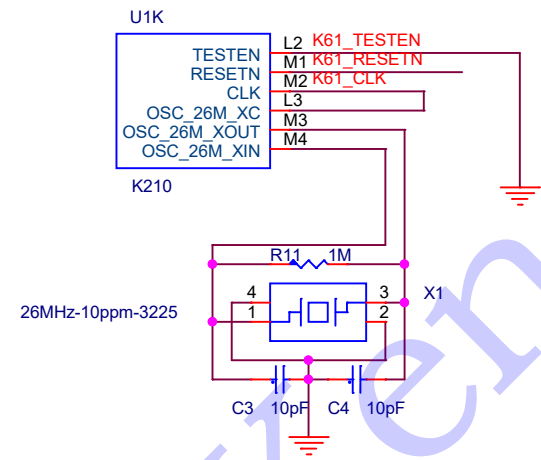
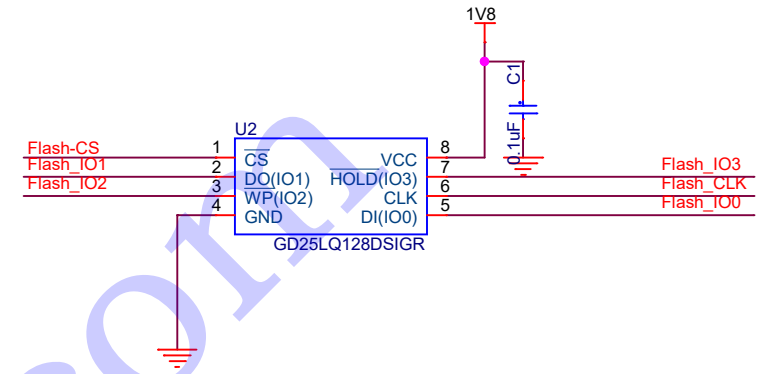
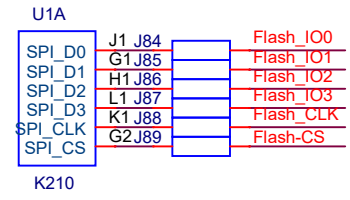
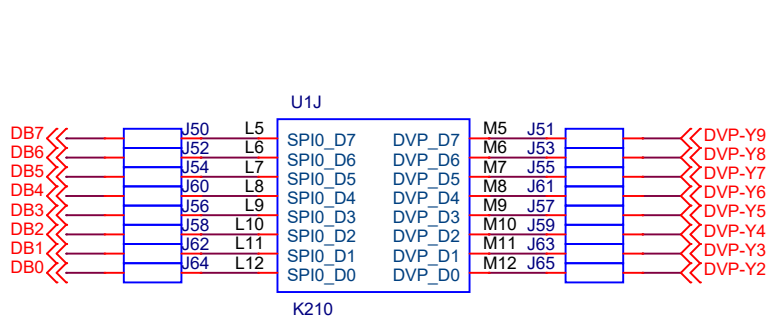
K210

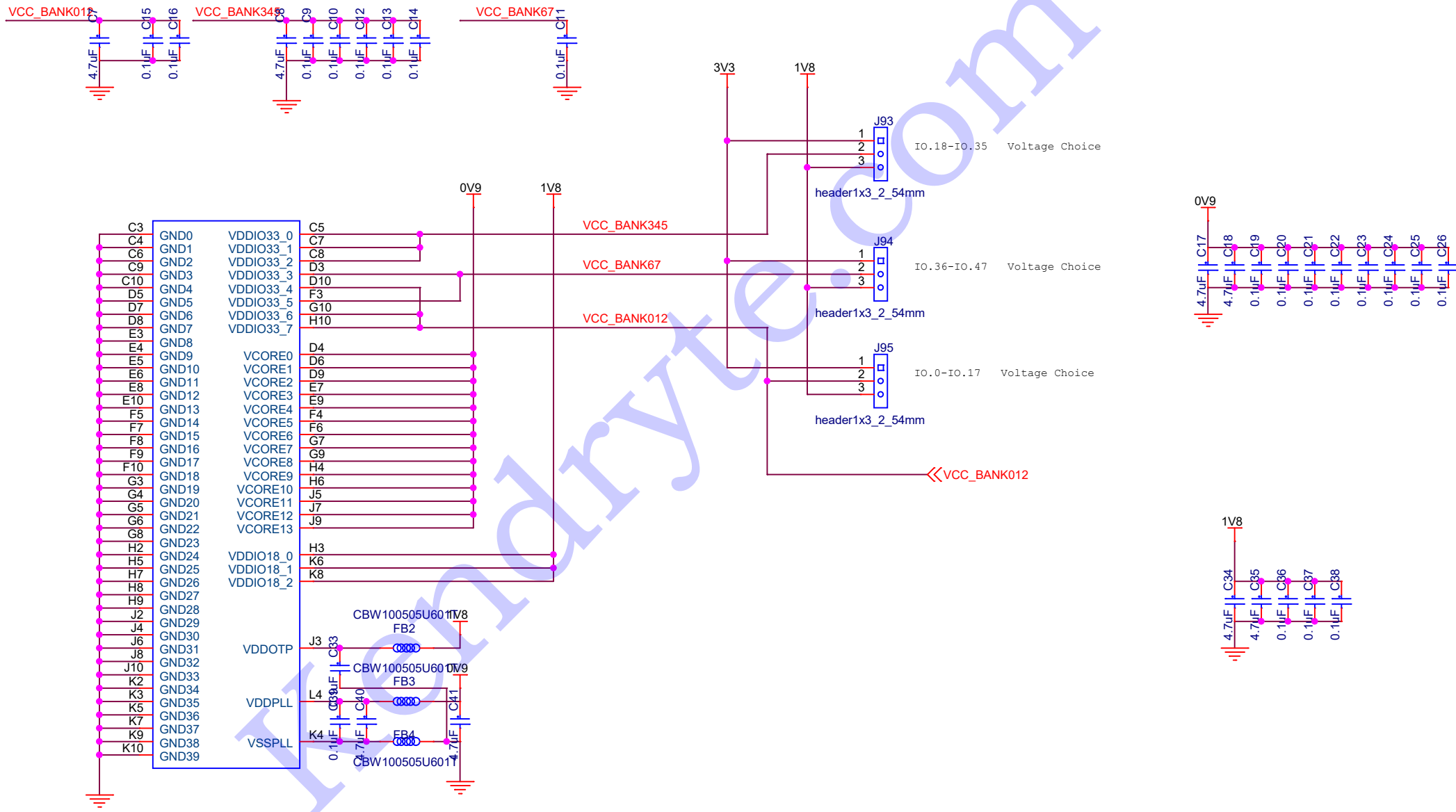
IO4:RX K210 read data TTL
IO5:TX K210 transfer data



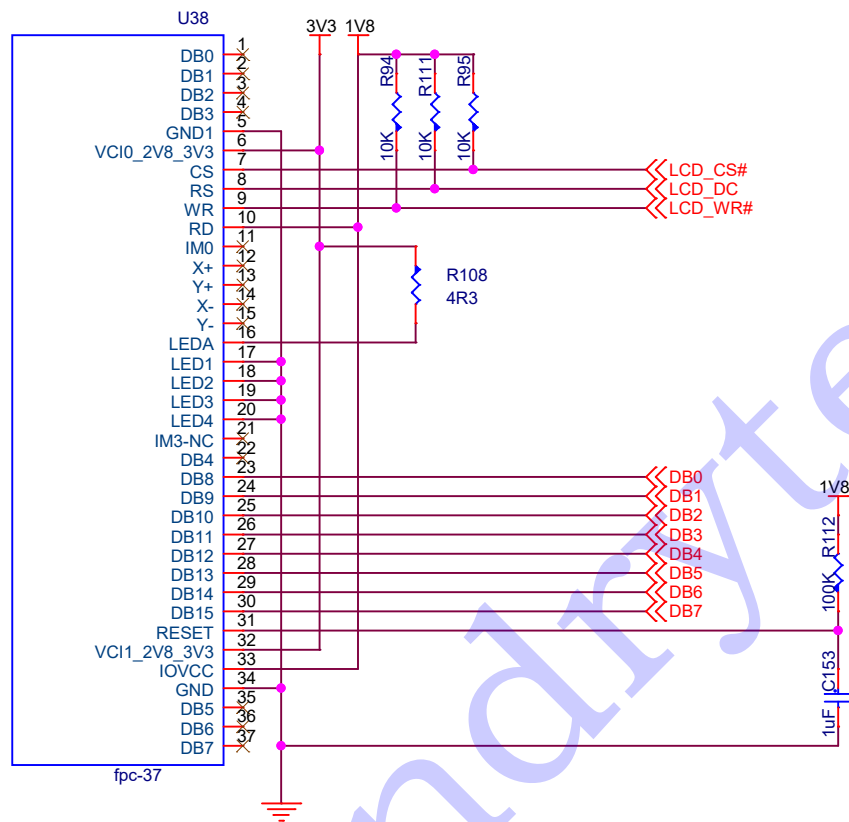
Kendryte

Size A4	Document Number KD233(Schematic_K210_test_board)	Rev V0.2
Date: Tuesday, November 27, 2018		Sheet 2 of 13



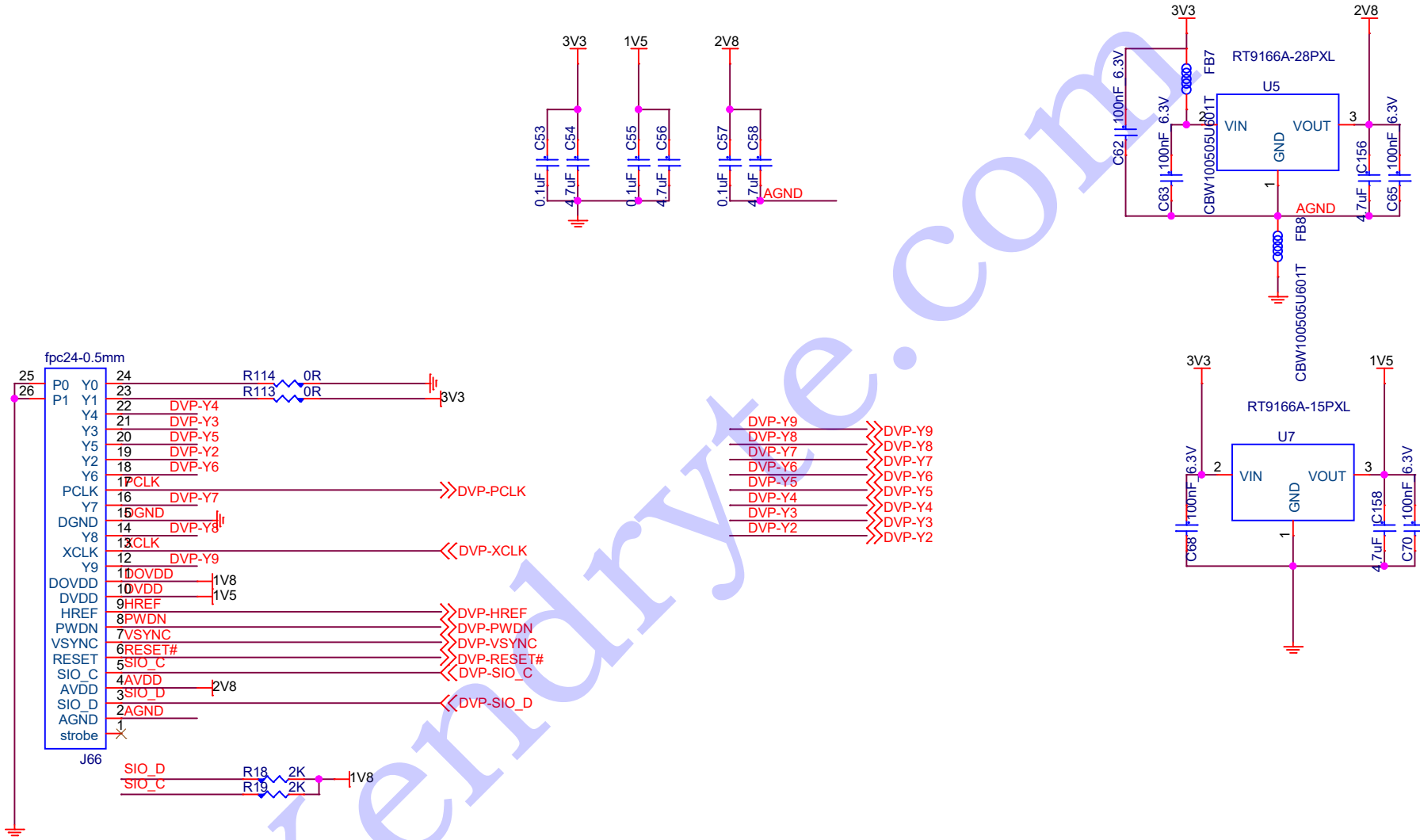


Kendryte			
Size A4	Document Number	KD233(Schematic_K210_test_board)	Rev V0.2
Date:	Tuesday, November 27, 2018	Sheet	4 of 13



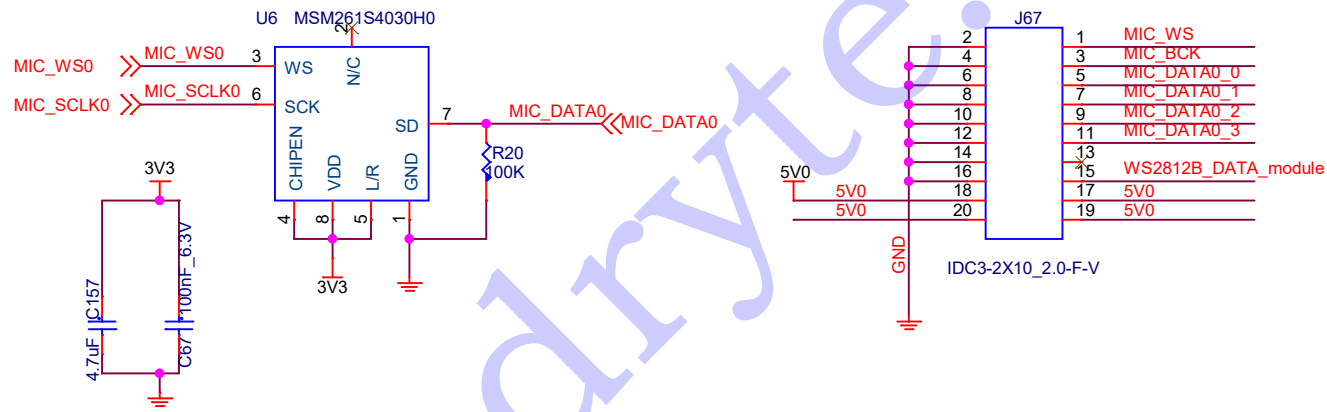
Kendryte.com

OV5640



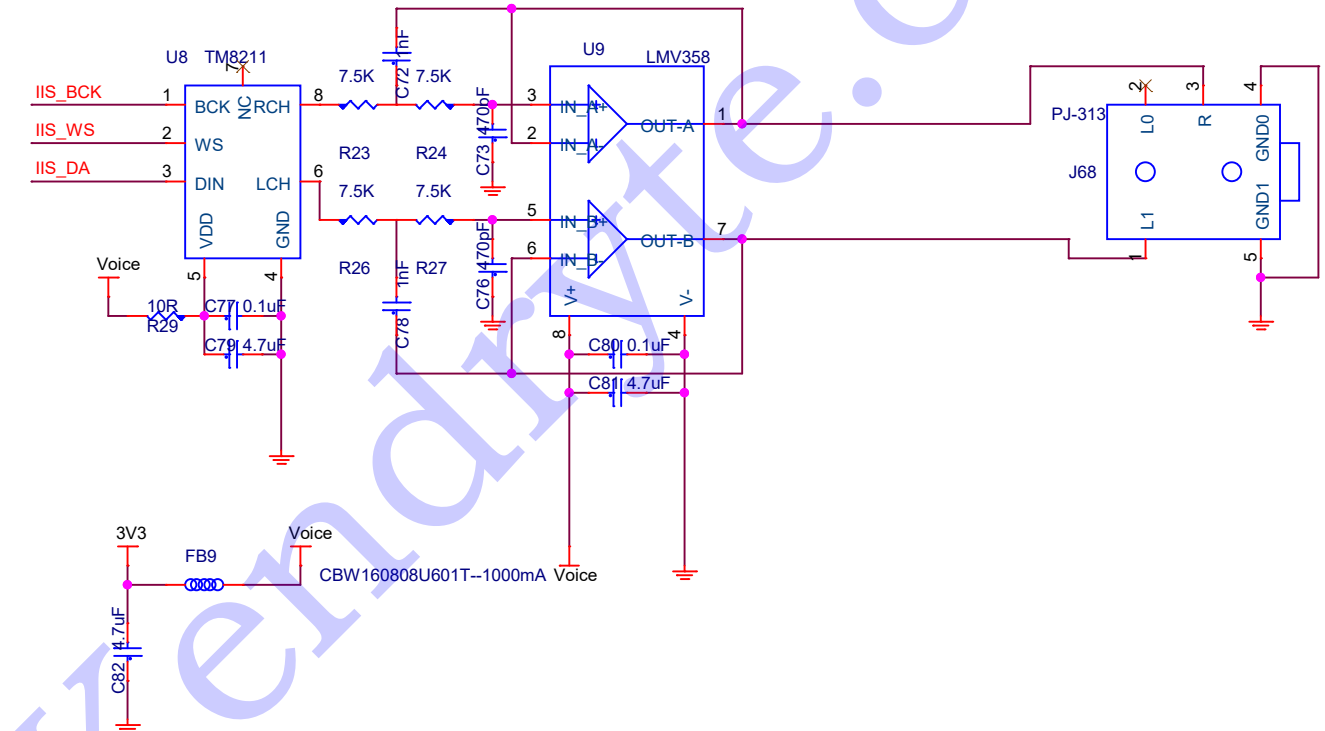
MIC_BCK << MIC_BCK
 MIC_WS << MIC_WS
 MIC_DATA0_0 << MIC_DATA0_0
 MIC_DATA0_1 << MIC_DATA0_1
 MIC_DATA0_2 << MIC_DATA0_2
 MIC_DATA0_3 << MIC_DATA0_3

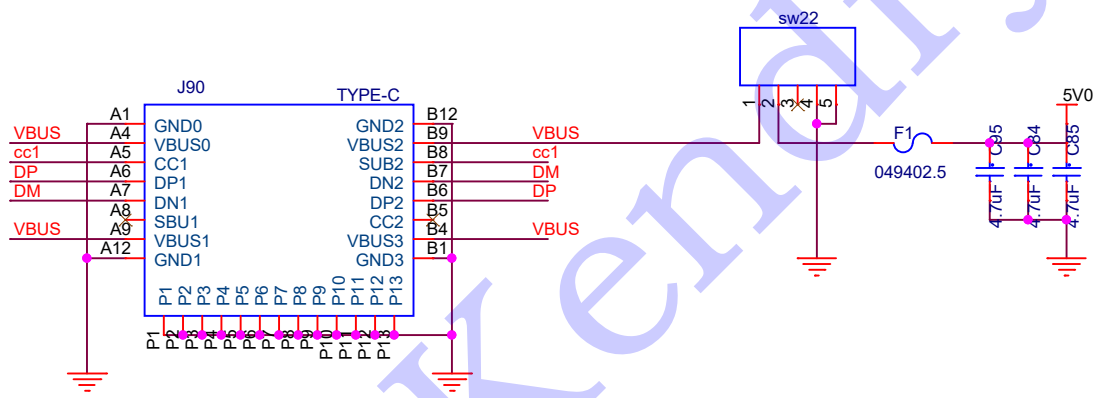
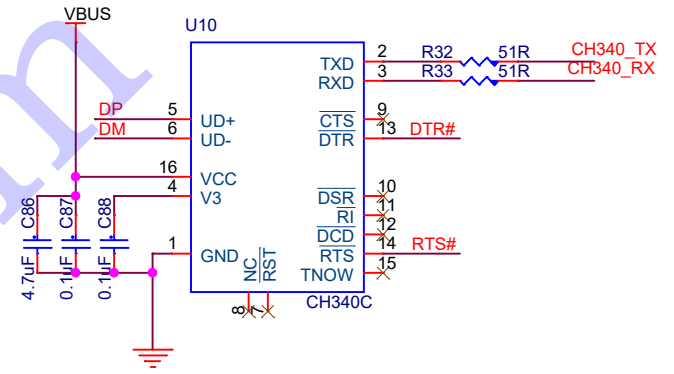
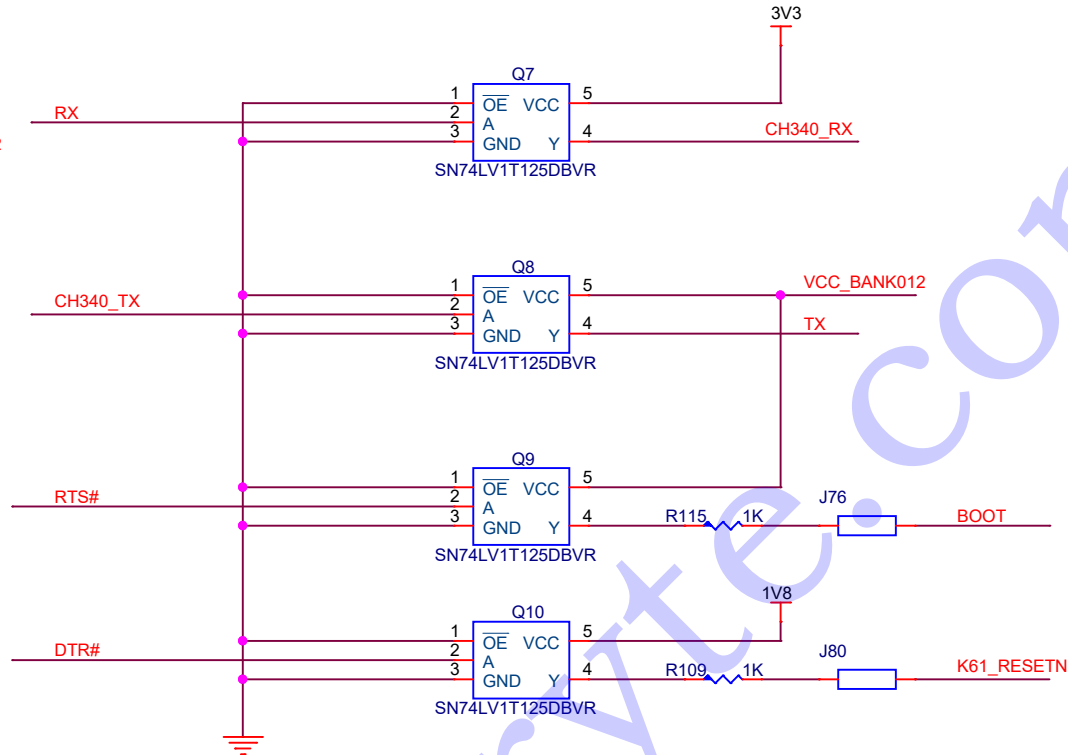
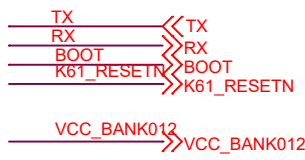
 WS2812B_DATA_module << WS2812B_DATA_module



Kendryte.com

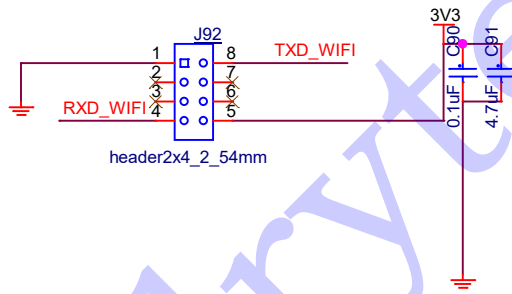
IIS_BCK
 IIS_WS
 IIS_DA






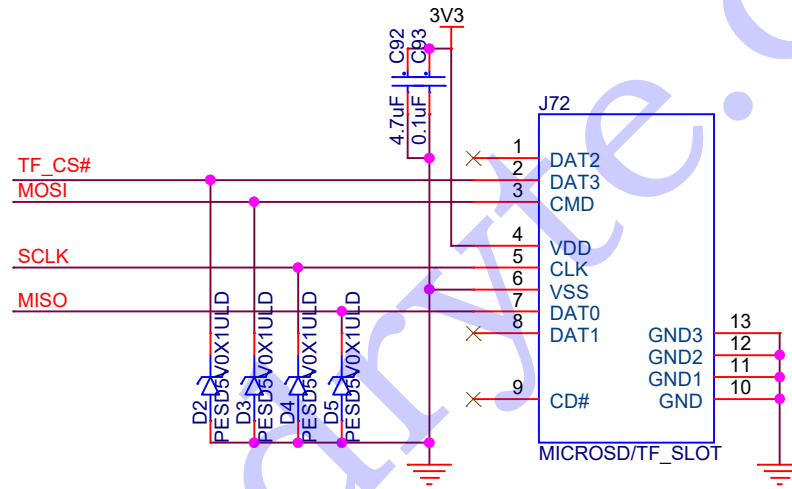
Kendryte			
Size A4	Document Number KD233(Schematic_K210_test_board)	Rev V0.2	
Date: Tuesday, November 27, 2018	Sheet 9 of 13		

Kendryte.com



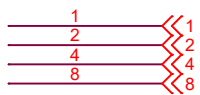
Kendryte		
Size A4	Document Number KD233(Schematic_K210_test_board)	Rev V0.2
Date: Tuesday, November 27, 2018	Sheet 10	of 13

MISO << MISO
 SCLK >> SCLK
 MOSI >> MOSI
 TF_CS# >> TF_CS#



Kendryte.com

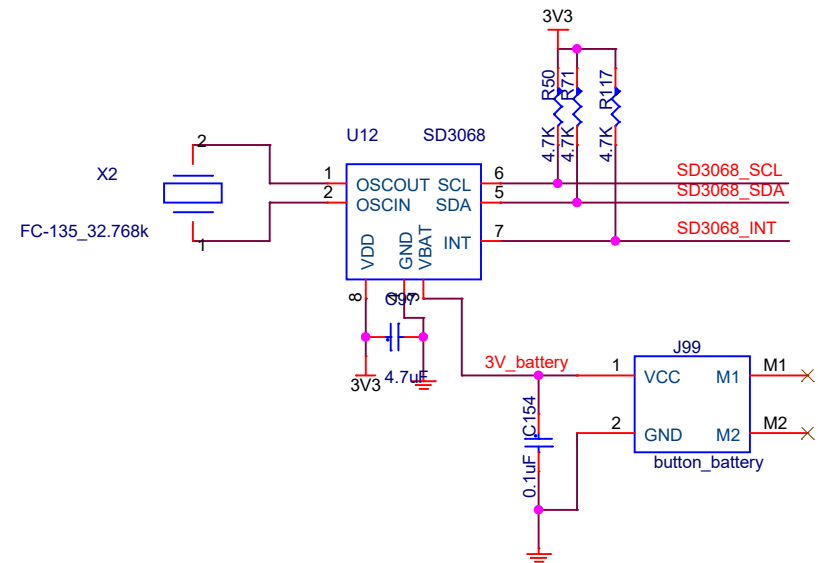
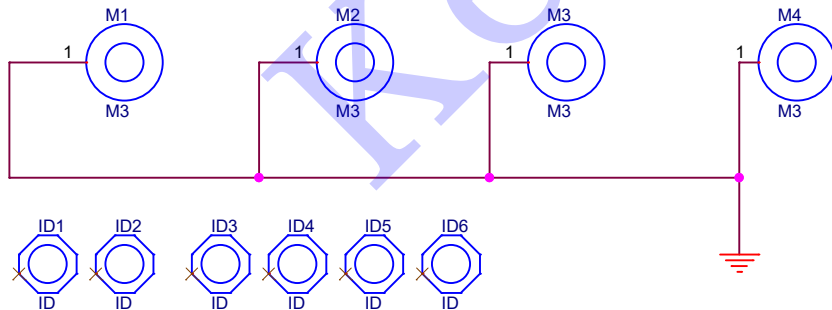
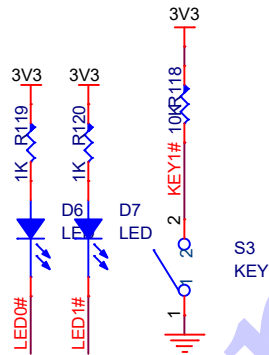
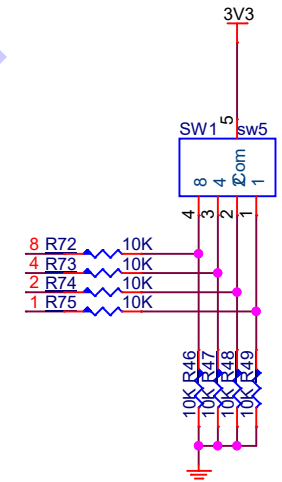
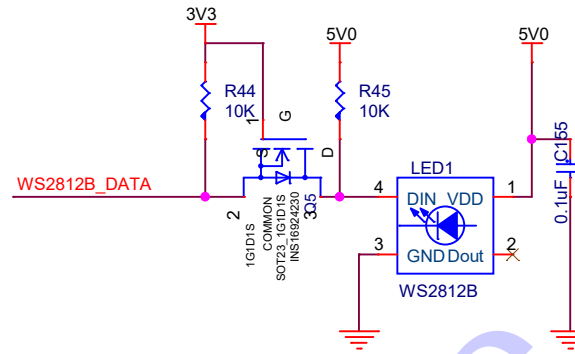
Kendryte	
Size A	Document Number KD233(Schematic_K210_test_board)
Date: Tuesday, November 27, 2018	Sheet 11 of 13
Rev V0.2	



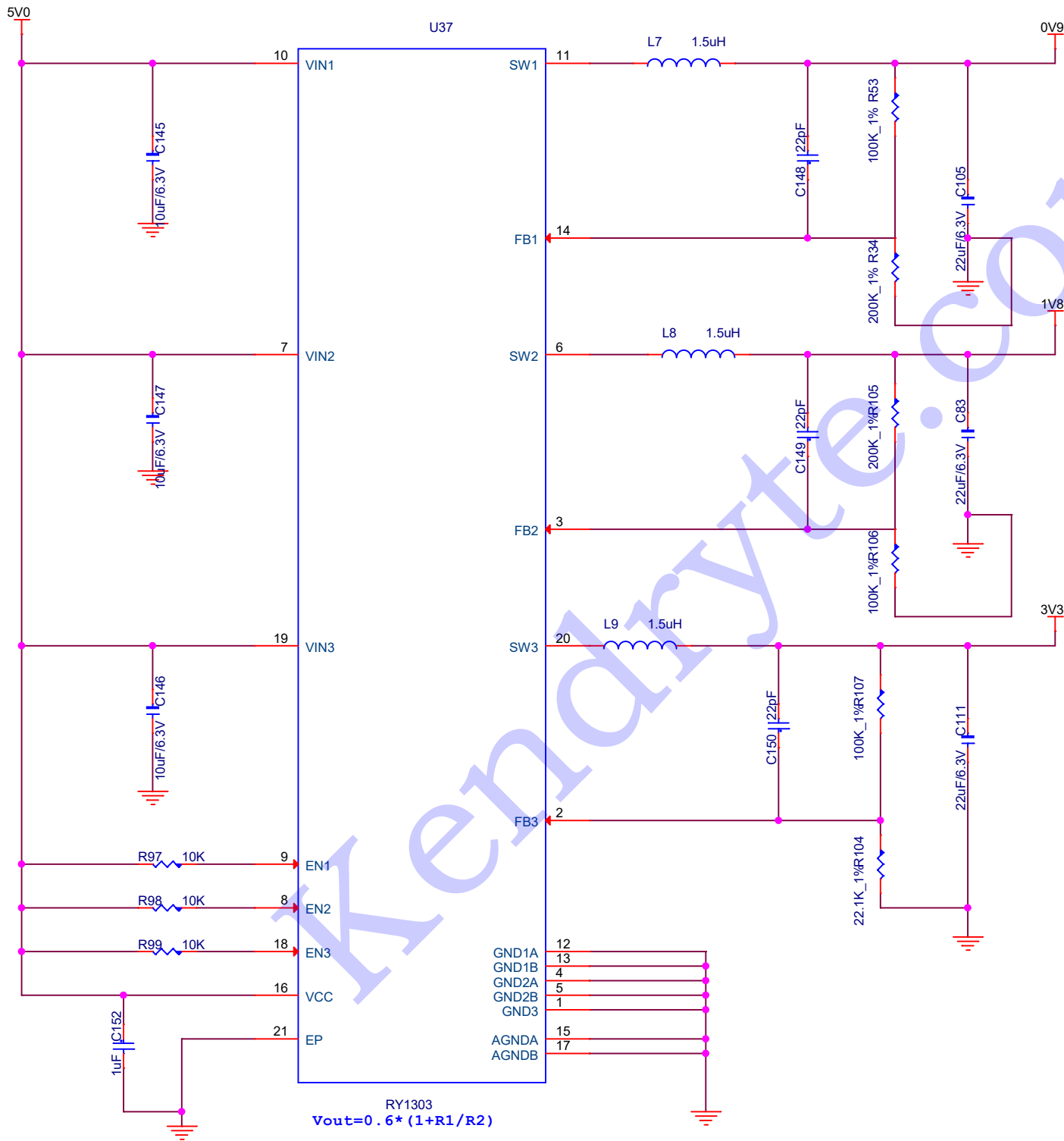
WS2812B_DATA >> WS2812B_DATA

LED0# >> LED0#
 LED1# >> LED1#
 KEY1# >> KEY1#
 SD3068_SCL >> SD3068_SCL
 SD3068_SDA >> SD3068_SDA

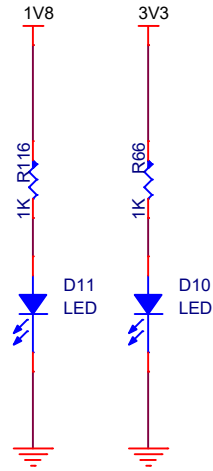
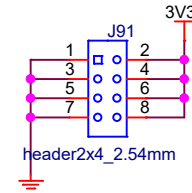
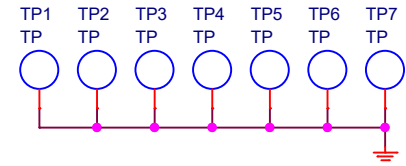
SD3068_INT >> SD3068_INT



Kendryte			
Size A4	Document Number	KD233(Schematic_K210_test_board)	
Date:	Tuesday, November 27, 2018	Sheet	12 of 13
			Rev V0.2



RY1303
 $V_{out} = 0.6 * (1 + R1/R2)$



Kendryte			
Size A4	Document Number KD233(Schematic_K210_test_board)	Rev V0.2	
Date: Tuesday, November 27, 2018	Sheet 13	of 13	